

Combined Dryers



Models

AD35 AD35A AD36
AD37 AD38 AD39 AD50
AD52 AD53 AD55 ED50
ED52 ED53 ED54 ED55
ED56 SDA53A SDA54E

PRODUCTS

Brand	Fisher & Paykel, Frigidaire, Kelvinator, Shacklock, Whiteway									
Voltage	220-240V 50Hz, 230-240V 50Hz*									
Model	Code									
AD35	94827	94829	96433							
AD35A	96435									
AD36	90920	91920	94923							
AD37	96921									
AD38	90922	91922	93922	94932	94933					
AD39	90120	90980	91120	91980	92110	92508	93110	93180	93508	
	93980	94120	94240	94250*	94340	94410*	94440	94508	94512	
	94540									
AD50	94840	96440	96450							
AD52	90940	91940	93940	94940	94941	94942	94943	94944		
AD53	90941	91941	93941	94951	94952	94953				
AD55	90123	90983	91123	91983	92113	92509	93113	93183	93509	
	93983	94118	94243	94253*	94343	94413*	94443	94444	94509	
	94513	94543								
ED50	94810	94813	94815	96412	96818					
ED52	90960	91960	93960							
ED53	90961	91961	93961							
ED54	90962	91962	93962	94981	94982	94983	94984			
ED55	90126	90986	91126	91986	92116	92510	93116	93186	93510	
	93986									
ED56	90129	90989	91129	91989	92119	92511	93119	93189	93511	
	93989	94119	94249	94259*	94419*	94449	94511	94514	94549	

Fisher & Paykel Customer Services
 PO Box 798
 19 Enterprise St
 Cleveland, Queensland 4163
 Australia
 Tel: (07) 3826 9122
 Fax: (07) 3826 9164
 Email: parts@fp.com.au
 A.C.N 003 335 171

Fisher & Paykel Appliances Ltd
 Appliance Spare Parts
 PO Box 14-148, Panmure.
 80 Springs Rd, East Tamaki
 New Zealand
 Tel: (09) 272 0261
 Fax: (09) 272 0219
 Email: parts@fp.co.nz

Fisher & Paykel Ltd
 International Division
 PO Box 14-917, Panmure.
 78 Springs Rd, East Tamaki
 New Zealand
 Tel: (09) 2730660
 Fax: (09) 2730580
 Email: parts.international@fp.co.nz

PRODUCTS

Brand Fisher & Paykel, Frigidaire, Kelvinator, Shacklock, Whiteway

Voltage 220-240V 50Hz, 230-240V 50Hz*

Model **Code**

SDA53A 92941

SDA54E 92962

CONTENTS

CABINET.....	6
CONTROLS & AIR DUCT.....	8
DOOR ASSEMBLY	14
DRUM ASSEMBLY & ACCESSORIES.....	18
MOTOR & FAN	22
NOTES	25
SCHEMATIC DIAGRAM AD39.....	26
SCHEMATIC DIAGRAM AD55.....	27
SCHEMATIC DIAGRAM ED55	28
SCHEMATIC DIAGRAM ED55(CONT).....	29
SCHEMATIC DIAGRAM ED56	30
SCHEMATIC DIAGRAM ED56(CONT).....	31

GUIDE TO USING THIS MANUAL

The model(s) and/or series covered by this manual are listed on the front cover.

The information detailed in this manual is subject to change without notice, the latest version is indicated by the reprint date and replaces any earlier editions.

The front cover picture shows the type of product and may not necessarily be an exact image of the models covered by the manual.

Part References

Where a Model is shown, the part is exclusive to the Model(s) stated. Common parts relating to a part reference are applicable to all other Model(s) which use the particular item.

Kit Parts

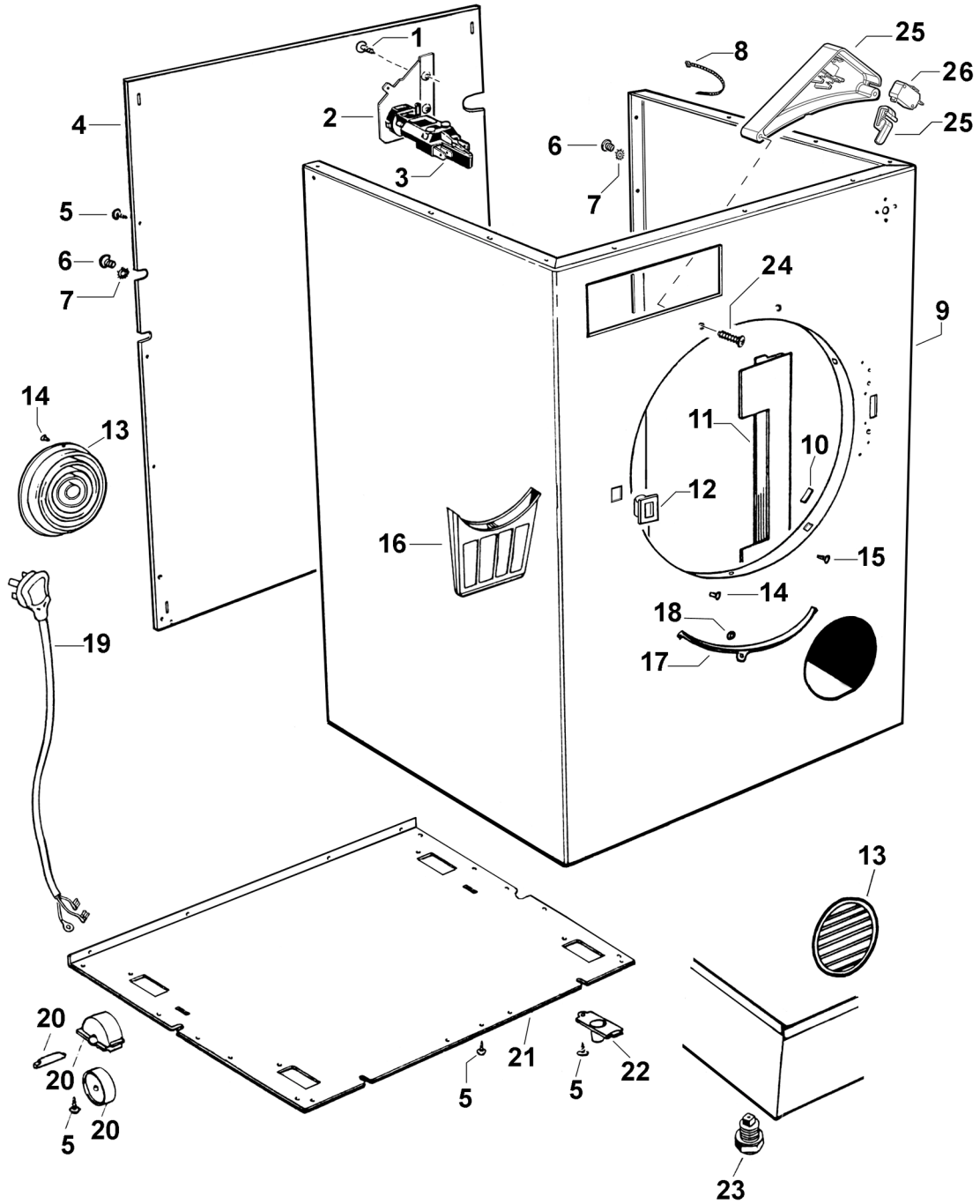
The components shown in *italics* are those parts in the kit which are available also as separate items. In addition, some parts may be supplied with this kit which are not available as separate items and are therefore not listed in this manual.

All details relating to Technical Bulletins or Notes are shown on a dedicated page. The Technical Bulletin Number shown relates to the bulletin version which is produced for New Zealand Service Centres.

Parts List Key

NOT USED	As a part, indicates the diagram part reference is not used in this manual.
#	Beside the part number, indicates the part is no longer available.
<i>italics</i>	Kit components shown in <i>italics</i> are also available separately.
*	Indicates a technical bulletin or note exists for the part or part reference.
NI	As a part reference, indicates the part is not illustrated on the diagram.

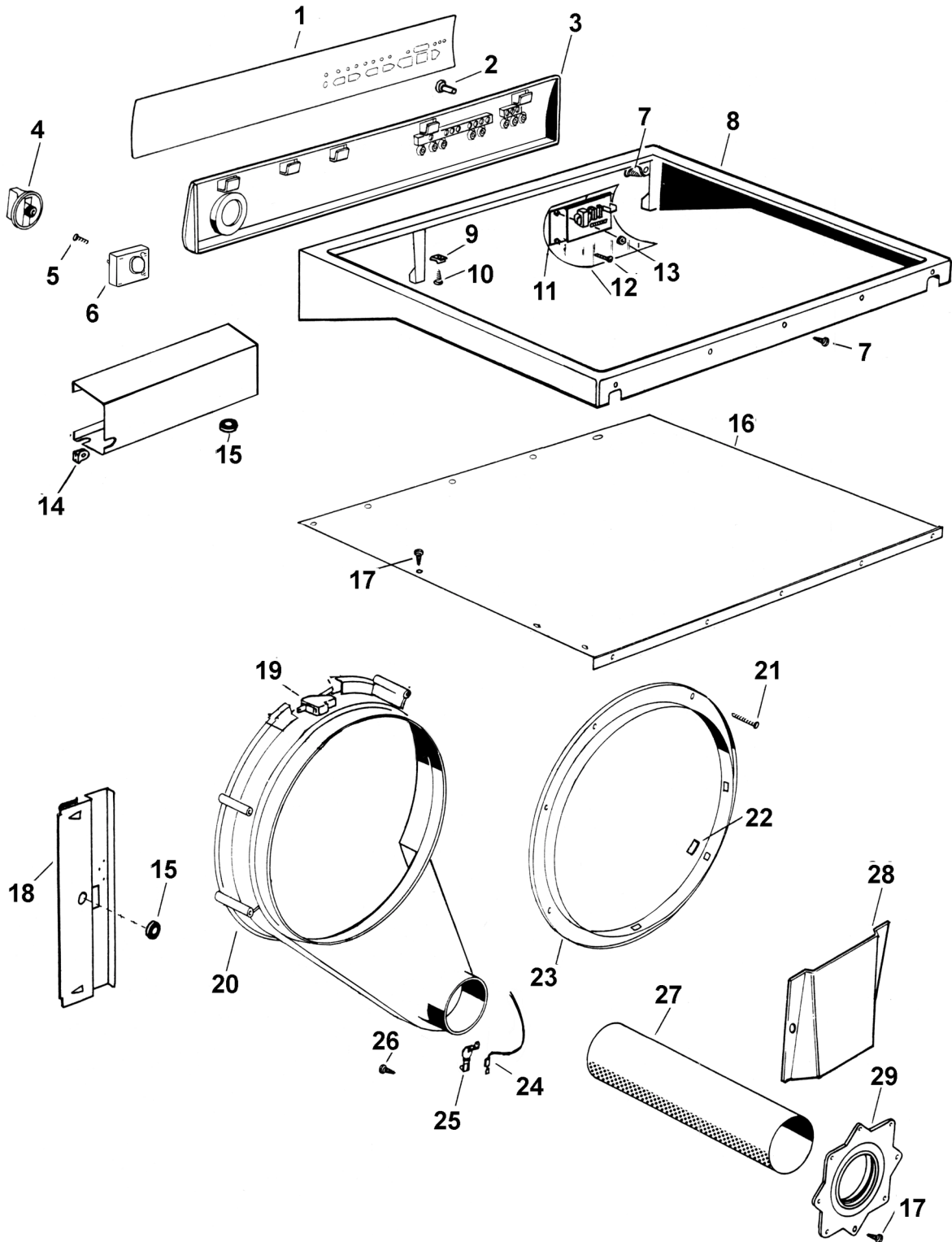
CABINET



CABINET

REF	PART	DESCRIPTION	MODEL
1	SP0201P	SCREW 8X12 PAN PH NIB PKT10	
2	427097	BRACKET MAINS CABLE	
3	427102	CABLE ENTRY	
4	427095	BACK CABINET FRONT VENT	
	427096	BACK CABINET REAR VENT	
5	611978P	SCREW ST 8X10 SD MSH PH HS ZNP	
7	611625P	WASHER LOCK 3/16 EXT SERR ZNPL	
8	621936	TIE CT120M ACTIVE	
9	* 410380	WRAPPER CABINET WHITE AD3	
	* 427373	CABINET AD3	
	* 427431P	WRAPPER CABINET D3 PKD	
	460493	WRAPPER CABINET REAR VENTING E	
	460551	WRAPPER CABINET REAR VENTING A	
10	460286	BEARING REVERSIBLE	
11	460495	SHIELD WIRING	
12	410128	CATCH	
13	460412	GRILLE AIR INTAKE AD3	
	460997	GRILLE INTAKE ROUNDED	
14	613111	RIVET 1/8 ALUM 73AS-4-3	
15	611914P	SCREW ST 10X1/2 TAB PAN PH X10	
16	460546	FILTER ASSY	
17	460768	TRIM LINT FILTER WHITE	
18	611626	WASHER PLAIN 1/8X5/16X20G MS Z	
19	427299	CABLE MAINS ASSY	
20	410129P	KIT WHEELS DRYER X 2	
		<i>410022 HOUSING ROLLER (M)</i>	
		<i>410034 WHEEL (M)</i>	
		<i>410677 AXLE PLATED</i>	
21	410002	BASE CABINET AD3	
	460539	BASE CABINET D5	
22	427313	FOOT	
23	* 472969P	KIT FOOT & INSERT	
24	611986P	SCREW ST 8X20MM HILO (PKT10)	
25	* 427537P	KIT AD39 DOOR SWITCH	
		<i>427535 LEVER MICRO SWITCH YELLOW</i>	
		<i>427536 HOUSING MICRO SWITCH</i>	
26	427343	MICROSWITCH D3 KWMD-0004	

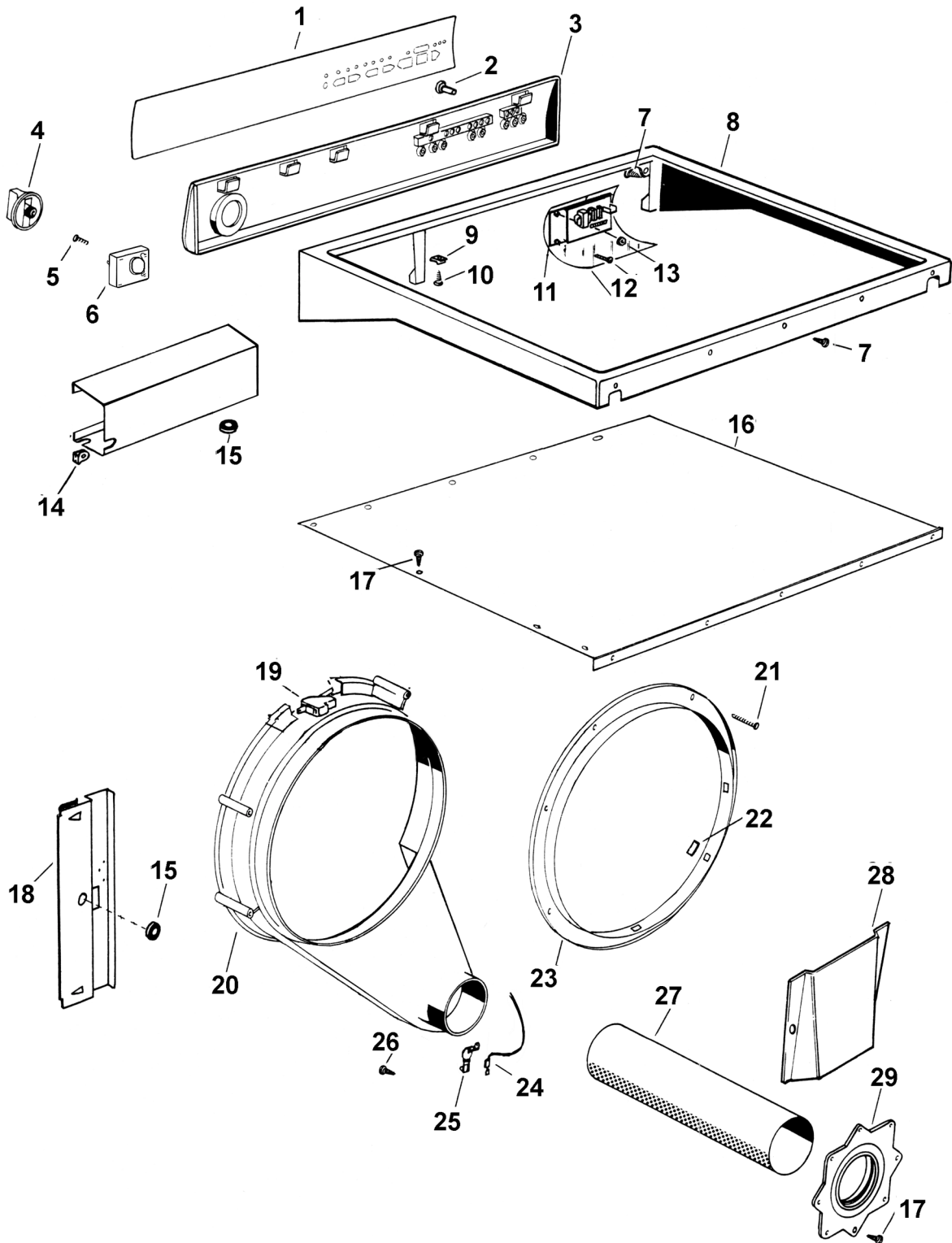
CONTROLS & AIR DUCT



CONTROLS & AIR DUCT

REF	PART	DESCRIPTION	MODEL
1	427034P	PANEL CONTROL AD38 F&P INV.	AD38
	427152P	PANEL CONTROL AD39 FRIG EX	AD39
	427160P	PANEL CONTROL AD39 F&P	AD39
	427183P	PANEL CONTROL INV AD39-U	AD39
	427322P	PANEL CONT F&P AD3 OR/GY	AD39
	427332P	PANEL CONT INV AD3 F&P OR/GY	AD39
	427479P	PANEL CONTROL AD39AU FP	AD39
	427489P	PANEL CONTROL INV AD39AU FP	AD39
	427555P	PANEL CONTROL AD39 SH	AD39
	427556P	PANEL CONTROL INV AD39 SH	AD39
	427557P	PANEL CONTROL AD39 AD55 FP	AD39
	427560P	PANEL CONTROL INV AD39 AD55 FP	AD39
	427563P	PANEL CONTROL AD39 AD55 SHACK	AD39
	427565P	PANEL CONTROL INV AD39 AD55 SH	AD39
	427490P	PANEL CONTROL INV AD55 AU FP	AD53
	427161P	PANEL CONTROL AD55 F&P	AD55
	427325P	PANEL CONTROL AD55 OR/GY F&P	AD55
	427482P	PANEL CONTROL AD55 AU FP	AD55
	427490P	PANEL CONTROL INV AD55 AU FP	AD55
	427551P	PANEL CONTROL AD55 SHACKLOCK	AD55
	427552P	PANEL CONTROL INV AD55 SHACKLOCK	AD55
	479142P	PANEL CONTROL ED52 UNBRANDED P	ED50
	479143P	PANEL CONTROL INV ED52 UNBRANDED	ED50
	479142P	PANEL CONTROL ED52 UNBRANDED	ED52
	479143P	PANEL CONTROL INV ED52 UNBRANDED	ED52
	427334P	PANEL CONTROL INV ED55-U	ED53
	427171P	PANEL CONTROL ED56 KELV EX	ED54
	427492P	PANEL CONTROL INV ED56 AU FP	ED54
	427334P	PANEL CONTROL INV ED55-U	ED55
	427485P	PANEL CONTROL ED55 AU FP	ED55
	427491P	PANEL CONTROL INV ED55 AU FP	ED55
	427558P	PANEL CONTROL ED55 FP	ED55
	427561P	PANEL CONTROL INV ED55 FP	ED55
	427171P	PANEL CONTROL ED56 KELV ROW	ED56
	427182P	PANEL CONTROL INV ED56 SHACK ROW	ED56

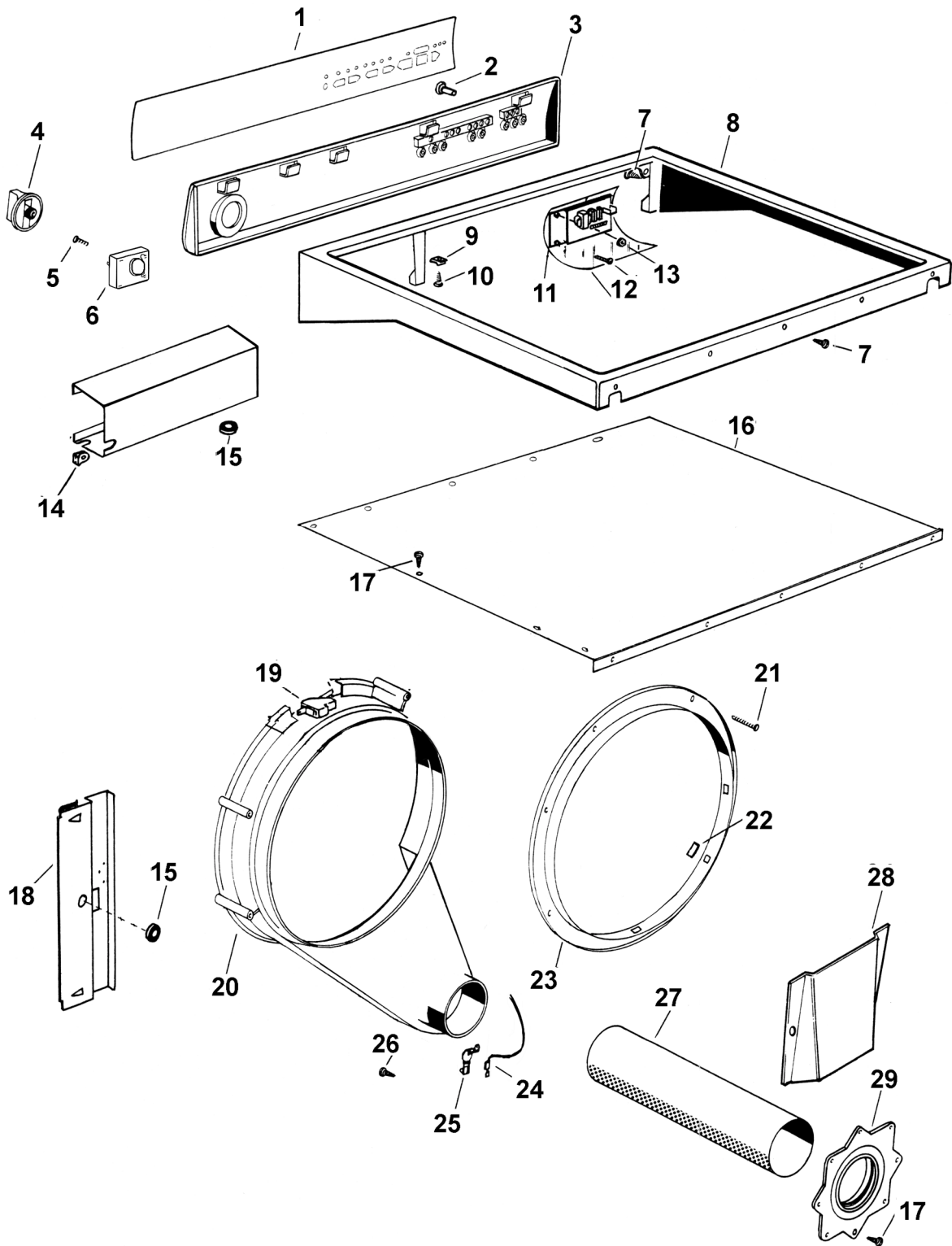
CONTROLS & AIR DUCT



CONTROLS & AIR DUCT

REF	PART	DESCRIPTION	MODEL
1	427332P	PANEL CONTROL INV AD3 F&P OR/GY	ED56
	427424P	PANEL CONTROL ED56 INTUITVE AU FP	ED56
	427488P	PANEL CONTROL ED56 AU FP	ED56
	427492P	PANEL CONTROL INV ED56 AU FP	ED56
	427553P	PANEL CONTROL ED56 SHACK HK	ED56
	427554P	PANEL CONTROL INV ED56 SH	ED56
	427559P	PANEL CONTROL ED56 FP	ED56
	427562P	PANEL CONTROL INV ED56 FP	ED56
2	460602	PLUNGER TACT SWITCH	
3	427138P	CONSOLE WHITE PKD	
3	460783P	CONSOLE GREY	
	460947P	CONSOLE LT GREY PACKED	
4	427146	KNOB ASSY WHITE	
	260160	COMPRESSION RING SPIRE SCB1730	
	460977	KNOB ASSY LT GREY	
	260160	COMPRESSION RING SPIRE SCB1730	
5	610103P	SCREW MC M3 04MM PAN PH MS X10	
6	460432P	TIMER PROGRAMME PACKED	
	460536P	TIMER PROG/REVERSING PACKED	
7	611978P	SCREW ST 8X10 SD MSH PH HS ZNP	
8	460762P	TRIM CABINET D5 WHITE PKD	
	460944P	TRIM CABINET WHITE AD3 PKD	
9	613602	NUT CAPTIVE NO8 SPIRE SNU3194-	
10	611923P	SCREW ST 8X5/8 TAB MSH PH X10	
11	* 460555P	PCB ASSY ED50/52 REBLT/EXCHNGE	ED50
	* 460555P	PCB ASSY ED50/52 REBLT/EXCHNGE	ED52
	427023P	PCB ASSY ED53 REBUILT/EXCHANGE	ED53
	* 427317P	PCB ASSY REBUILT/EXCHANGE	ED53
	427024P	PCB ASSY ED54 REBUILT/EXCHANGE	ED54
	* 427318P	PCB ASSY REBUILT/EXCHANGE	ED54
	427023P	PCB ASSY ED53 REBUILT/EXCHANGE	ED55
	* 427317P	PCB ASSY REBUILT/EXCHANGE	ED55

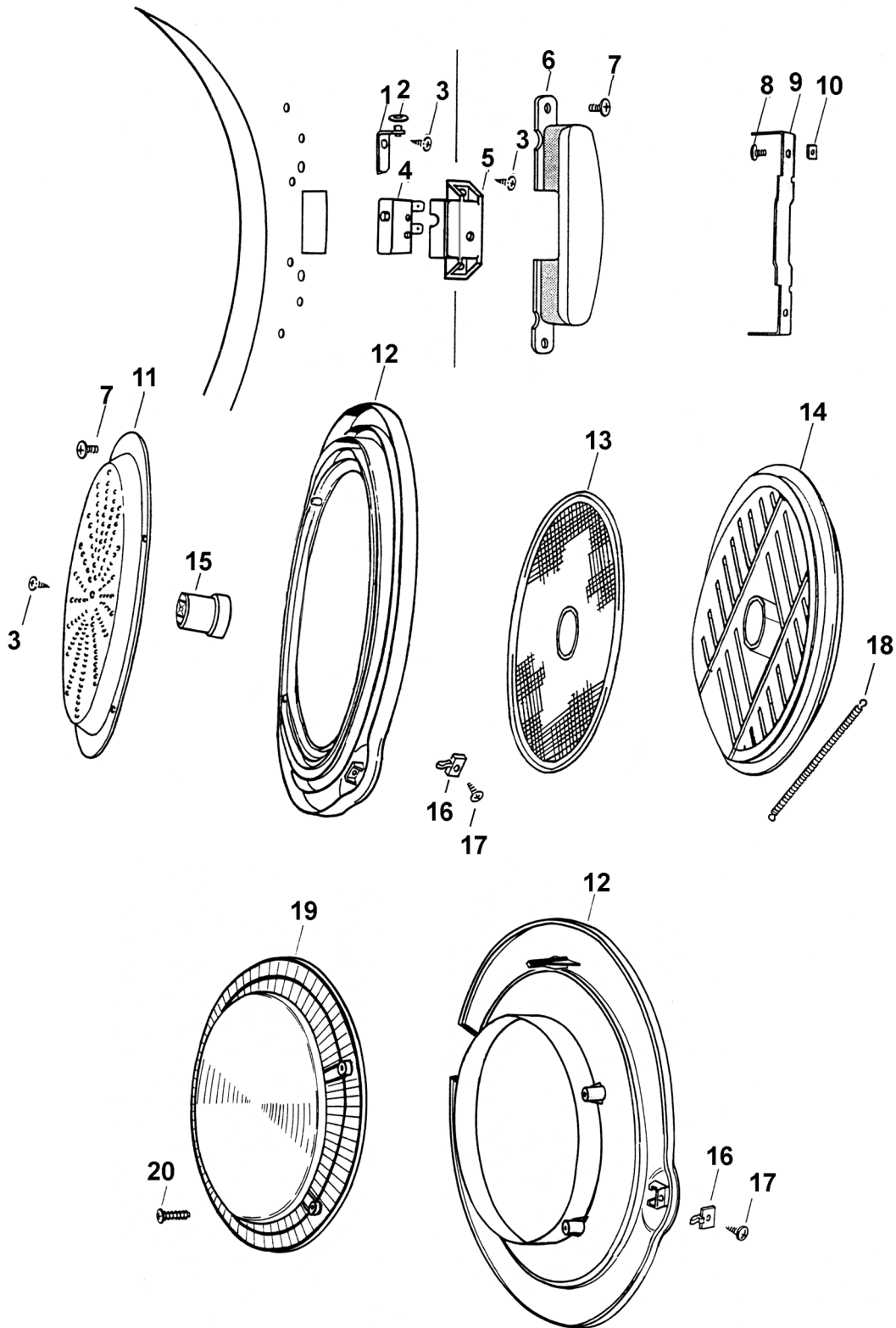
CONTROLS & AIR DUCT



CONTROLS & AIR DUCT

REF	PART	DESCRIPTION	MODEL
11	427024P	PCB ASSY ED54 REBUILT/EXCHANGE	ED56
	* 427318P	PCB ASSY REBUILT/EXCHANGE	ED56
12	611990P	SCREW ST 6X30MM TAB PKTS X 10	
13	611108P	NUT M3 HEX MC MS ZNPL X10 PKD	
14	422552	GROMMET D	
15	427123	GROMMET HARNESS DRYER	
16	410021P	TOP CABINET WHITE AD3 PKD	
	460002P	TOP CABINET WHITE D5 PACKED	
17	SP0201P	SCREW 8X12 PAN PH NIB PKT10	
18	460495	SHIELD WIRING	
19	427376	MICROSWITCH ED KWBE-0001	
	427520	LEVER MICRO SWITCH D3 RED	
20	460868	DUCT & SEAL ASSY WHITE	
21	611986P	SCREW ST 8X20MM HILO (PKT10)	
22	460286	BEARING REVERSIBLE	
23	460492	SUPPORT DRUM FRONT	
24	427029P	SENSOR ASSY EXHAUST	
	460608P	SENSOR ASSY EXHAUST	
25	460675	MOUNT EXHAUST SENSOR	
26	611983P	SCREW ST 6X3/8 T23 PAN PH HS P	
27	427319	PIPE EXHAUST - PP	
	460521	PIPE EXHAUST AD/ED5	
28	460828	DEFLECTOR VENT AD/ED5	
29	410843	NUT FLEXIBLE HOSE	
NI	460917	GASKET DUCT	
NI	410496P	SEAL DRUM FRONT PKD	
NI	460881	KIT ANTI-CONDENSATION	
NI	410129P	KIT WHEELS DRYER X 2	
		<i>410022 HOUSING ROLLER</i>	
		<i>410034 WHEEL</i>	
		<i>410677 AXLE PLATED</i>	

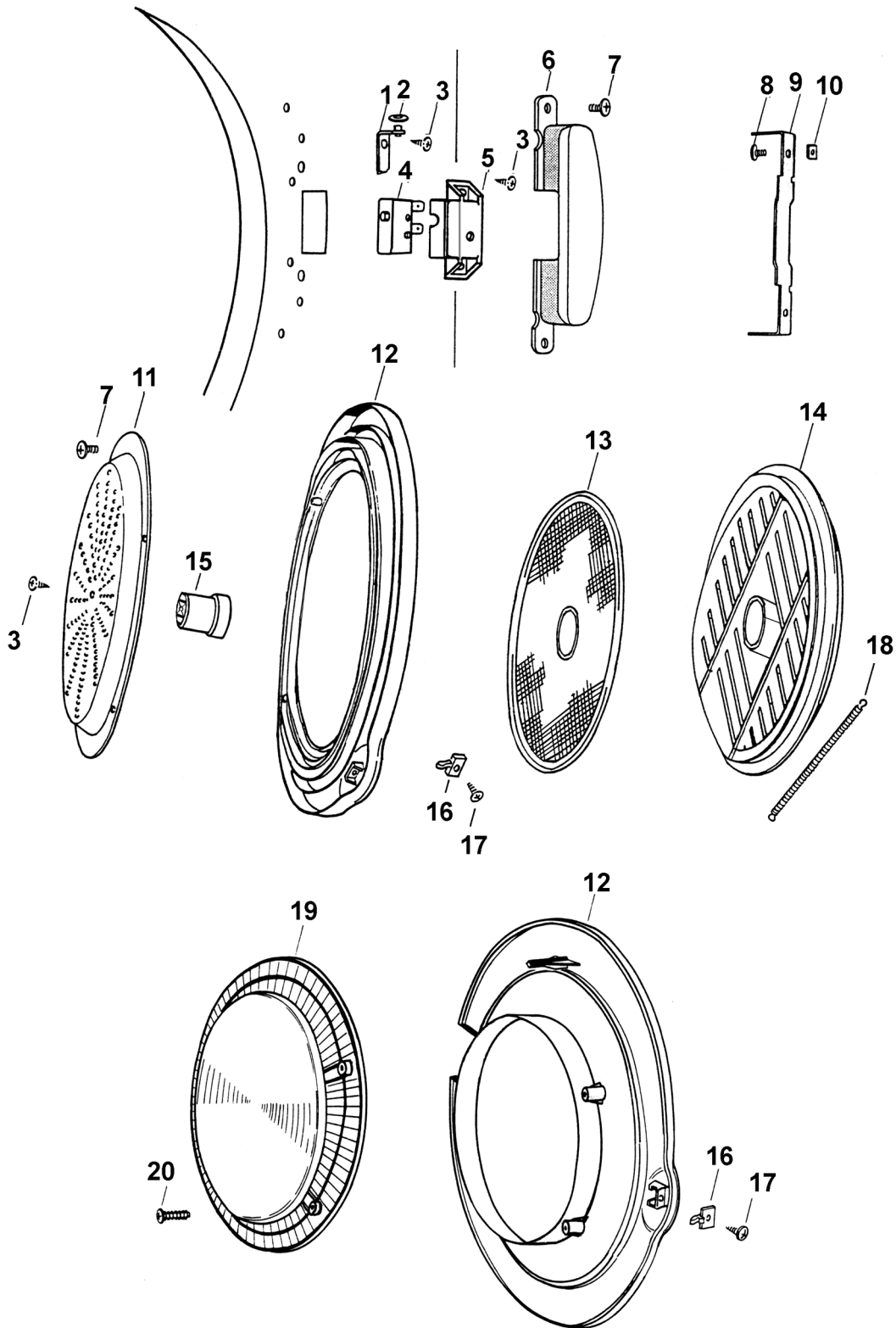
DOOR ASSEMBLY



DOOR ASSEMBLY

REF	PART	DESCRIPTION	MODEL
1	427314	HINGE RIVETED ASSY SHORT	
2	410261P	WASHER PLAIN 5X10X0.9 MS ZN X1	
3	611914P	SCREW ST 10X1/2 TAB PAN PH X10	
4	410786	MICROSWITCH	
	460953	MICROSWITCH ROUNDED DOOR	
5	427107	KIT CLAMP DOOR SWITCH	
	427143	CLAMP SWITCH WHITE	
	460935	BUTT HINGE ROUNDED DOOR	
	427143	CLAMP SWITCH WHITE	
6	427141	COVER HINGE D3 WHITE	
	427142	COVER HINGE D5 WHITE	
7	611972P	SCREW ST 8-32X3/8 PACKED	
8	610210P	SCREW MC M4X08 PAN PH MS ZN X1	
9	460935	BUTT HINGE ROUNDED DOOR	
10	611103P	NUT M4 HEX FS MS ZNPL X10 PKD	
11	410117	SCREEN LINT WHITE	
12	427077	KIT DOOR ASSY REAR VENTED	
	427141	COVER HINGE D3 WHITE	
	427143	CLAMP SWITCH WHITE	
*	427225P	DOOR RV WHITE SLOTTED CAB PACK	
	427314	HINGE RIVETED ASSY SHORT	
	460919	GASKET DOOR	
	460935	BUTT HINGE ROUNDED DOOR	
	611972P	SCREW ST 8-32X3/8 PACKED	
	621703	INSULATOR MICROSWITCH TERMINAL	
*	427078	KIT DOOR ASSY FRONT VENTED	
	427141	COVER HINGE D3 WHITE	
	427206P	DOOR SUB ASSY WHITE F. VENT PKD	
	427314	HINGE RIVETED ASSY SHORT	
	460919	GASKET DOOR	
	460935	BUTT HINGE ROUNDED DOOR	
	611972P	SCREW ST 8-32X3/8 PACKED	
	621703	INSULATOR MICROSWITCH TERMINAL	
	427206P	DOOR SUB ASSY WHITE F. VENT PKD	
	460919	GASKET DOOR	
*	427225P	DOOR RV WHITE SLOTTED CAB PACK	
	427420P	DOOR SUB ASSY WHITE F VENT	

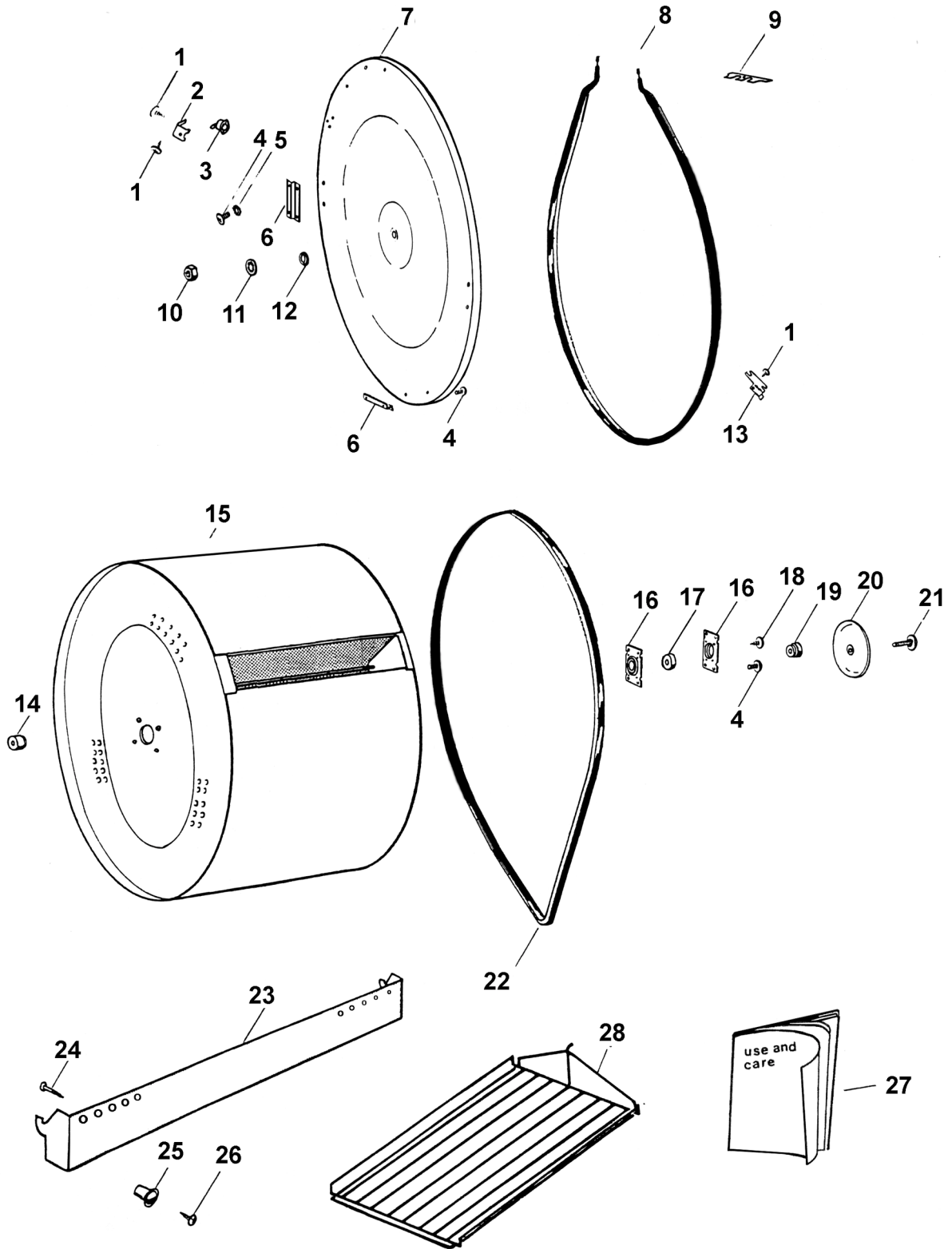
DOOR ASSEMBLY



DOOR ASSEMBLY

REF	PART DESCRIPTION	MODEL
12	460919 GASKET DOOR	
13	410116 FILTER LINT WHITE	
14	427199 GRILLE OUTLET ASSY WHITE	
	410116 FILTER LINT WHITE	
	410118 SPRING RETAINER	
15	427197 SPIGOT GRILLE MTG	
16	410089 STRIKE	
17	611978P SCREW ST 8X10 SD MSH PH HS ZNP	
18	410118 SPRING RETAINER	
19	460519 WINDOW DOOR	
20	611986P SCREW ST 8X20MM HILO (PKT10)	

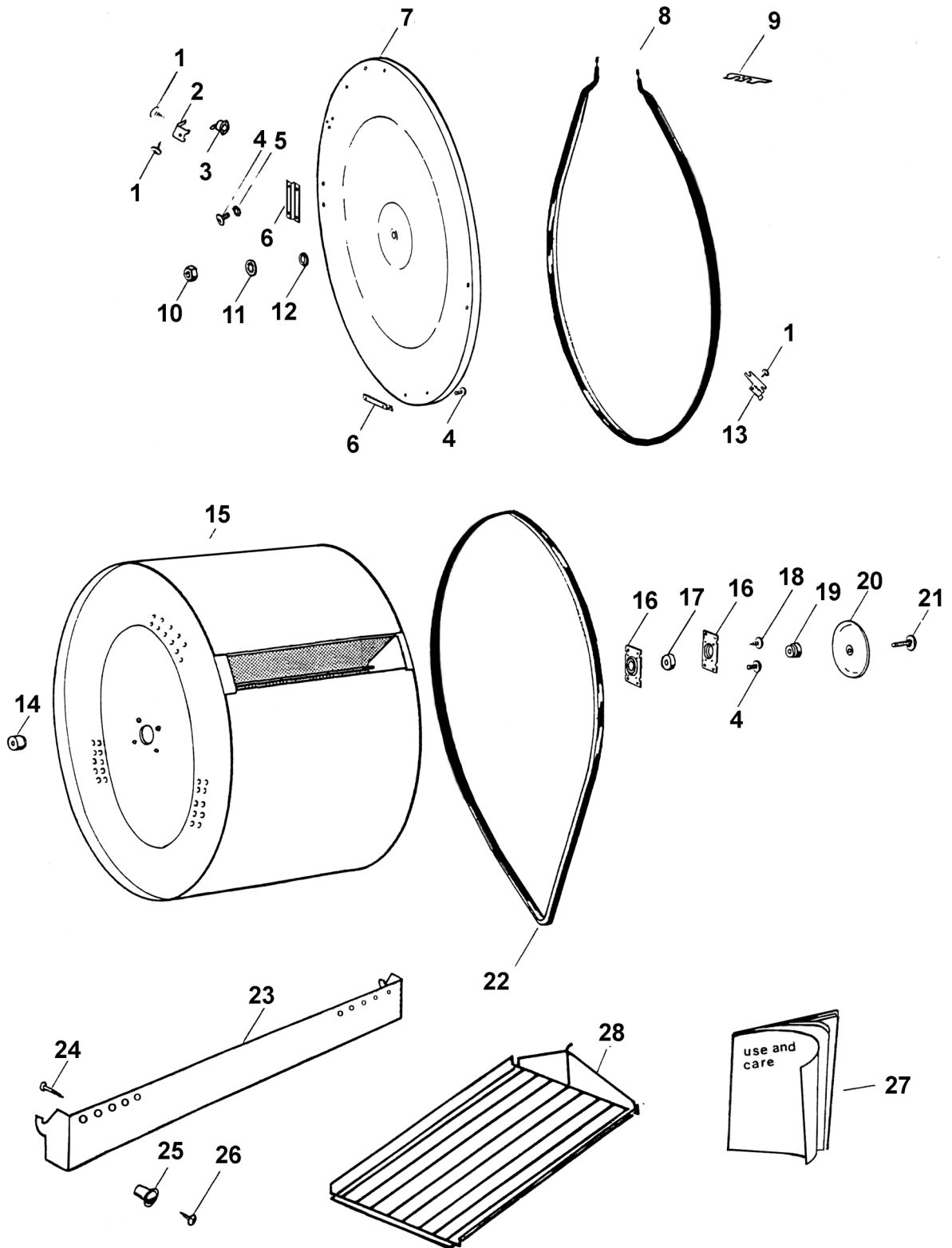
DRUM ASSEMBLY & ACCESSORIES



DRUM ASSEMBLY & ACCESSORIES

REF	PART	DESCRIPTION	MODEL
1	611978P	SCREW ST 8X10 SD MSH PH HS ZNP	
2	460351	MOUNTING THERMOSTAT	
3	460530	THERMOSTAT OVERHEAT	
4	611914P	SCREW ST 10X1/2 TAB PAN PH X10	
5	611625P	WASHER LOCK 3/16 EXT SERR ZNPL	
6	460348	BRACKET HEATER PLATE	
7	479113	KIT HEATER PLATE	
		<i>427309 SPACER OUTSIDE DRUM RECESSED</i>	
8	427380	ELEMENT PARALLEL SEALED BENT	
	427379	ELEMENT SERIES BENT SEALD 875W	
9	460632	RETAINER ELEMENT	
10	611206	NUT M8 HEX FL MS ZNPL	
11	611620P	WASHER LOCK 5/16 INT ZP X10 PK	
12	611304P	WASHER PLN PK10 M8X19X1.6 MS	
13	460620	BRACKET TWIN ELEMENT	
14	427309	SPACER OUTSIDE DRUM RECESSED	
15	427350P	DRUM ASSY D3 PACKED	
		<i>405061 BEARING</i>	
		<i>460358 COVER BEARING</i>	
		<i>611979P SCREW ST 8X3/8 TAB MUSH PH X10</i>	
	427356P	DRUM ASSY SS D5 PACKED	
		<i>405061 BEARING</i>	
		<i>460358 COVER BEARING</i>	
		<i>611979P SCREW ST 8X3/8 TAB MUSH PH X10</i>	
	460830P	DRUM ASSY PP-SS PKD	
		<i>405061 BEARING</i>	
		<i>460358 COVER BEARING</i>	
		<i>611979P SCREW ST 8X3/8 TAB MUSH PH X10</i>	
16	460358	COVER BEARING	
17	405061	BEARING	
18	611979P	SCREW ST 8X3/8 TAB MUSH PH X10	
19	460360	SPACER (INSIDE DRUM)	
20	410499	CAP DRUM REAR AD3 COATED	
	460361	CAP DRUM REAR	
21	460628	BOLT DRUM (DRILLED)	
22	410010	BELT POLY VEE AD3	
	* 427131	BELT ELASTIC POLY-V D3 SERIES	

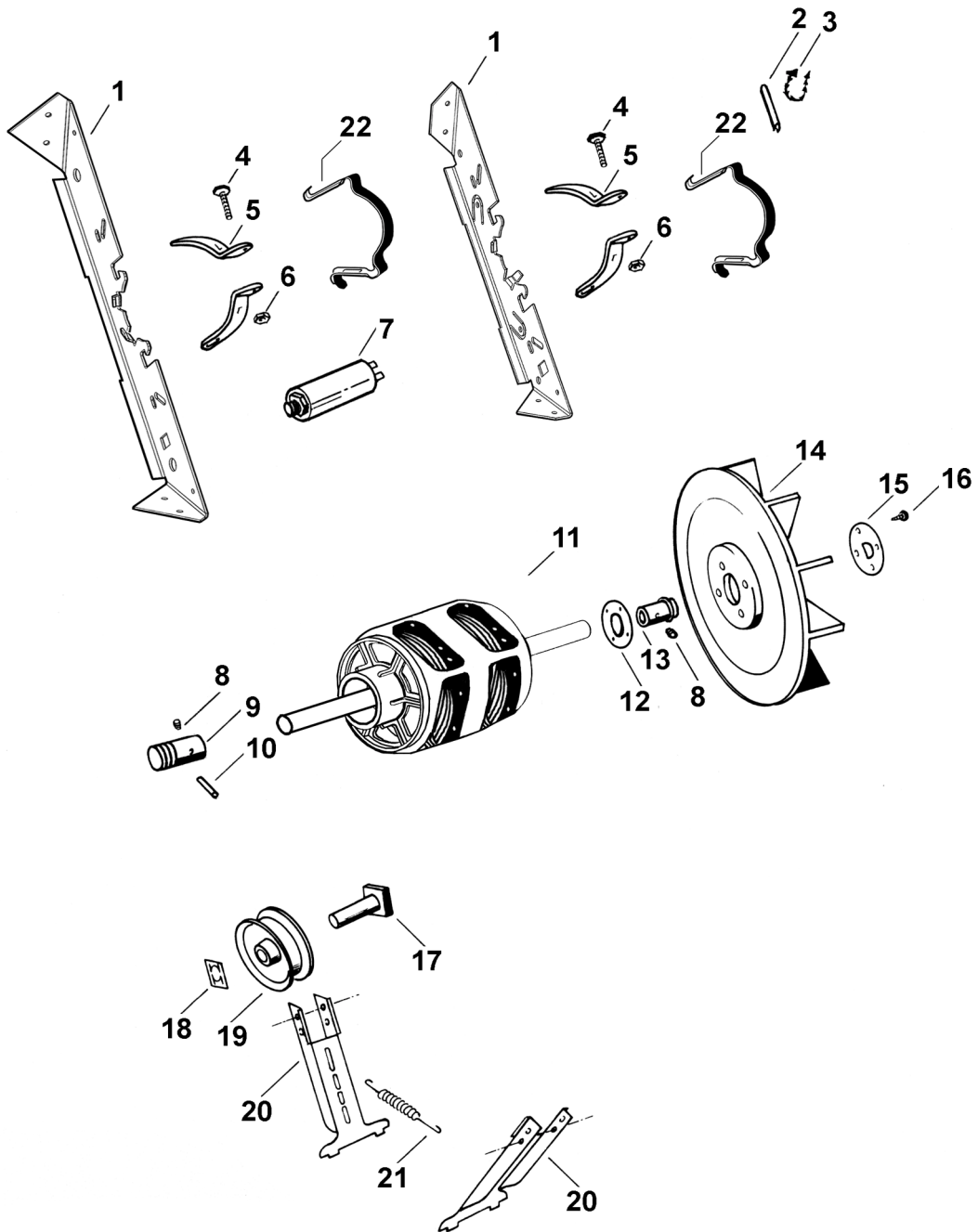
DRUM ASSEMBLY & ACCESSORIES



DRUM ASSEMBLY & ACCESSORIES

REF	PART	DESCRIPTION	MODEL
22	460529	BELT POLY VEE D5 (ZI5180)	
23	460913	BRACKET WALL MOUNTING	
24	460669	SCREW ST 14 X 50 TIMBERTITE HX	
25	460912	SPACER MOUNTING BRACKET	
26	611994P	SCREW ST 8X3/4 TAB PKT 10	
27	4227572	BOOK USE & CARE DRYER F&P	
	427574	BOOK USE & CARE DR UNBRANDED ROW	
28	427228	KIT SHOE RACK D5	
NI	502067	KIT WALL MOUNTING	
	460669	<i>SCREW ST 14 X 50 TIMBERTITE HX</i>	
	460686	<i>LEAFLET WALL MOUNT INSTRUCTION</i>	
	460912	<i>SPACER MOUNTING BRACKET</i>	
	460913	<i>BRACKET WALL MOUNTING</i>	
	611604P	<i>WASHER FLAT 5/32X3/8 MS ZNPL P</i>	
	611994P	<i>SCREW ST 8X3/4 TAB PKT 10</i>	
NI	502028	KIT HARDWARE DRYER INVERTED	
	460669	<i>SCREW ST 14 X 50 TIMBERTITE HX</i>	
	460686	<i>LEAFLET WALL MOUNT INSTRUCTION</i>	
	460912	<i>SPACER MOUNTING BRACKET</i>	
	611604P	<i>WASHER FLAT 5/32X3/8 MS ZNPL P</i>	
	611994P	<i>SCREW ST 8X3/4 TAB PKT 10</i>	
NI	460754	KIT VENT EXTERNAL 400MM HOSE	
	319116	<i>PIPE VENT</i>	
	319117	<i>GASKET FOAM</i>	
	405107	<i>VENT CAP</i>	
	405135	<i>TAP-IT FASTENER</i>	
	460601	<i>HOSE EXHAUST FLEXIBLE 0.40 MT</i>	
NI	319120	KIT VENT EXTERNAL WEATHER COWL	
	319116	<i>PIPE VENT</i>	
	319117	<i>GASKET FOAM</i>	
	405107	<i>VENT CAP</i>	
	405135	<i>TAP-IT FASTENER</i>	
NI	SVHCW4	KIT VENTING EXTERNAL WITH LOUV	
NI	460886	KIT VENT DRYER AD50/52/ED50/52	
	460883	<i>STRAP LONG</i>	
NI	460601	HOSE EXHAUST FLEXIBLE 0.40 MT	
	503858	HOSE EXHAUST FLEXIBLE 2.00 MET	

MOTOR & FAN



MOTOR & FAN

REF	PART	DESCRIPTION	MODEL
1	* 427394	BRACKET MOTOR MOUNTING-AD3 COMPACT	
	* 460522	BRACKET MOTOR MOUNTING-AD5	
2	460718	STRIP CHAFE 50MM	
3	621936	TIE CT120M ACTIVE	
4	610310	SCREW MC M5 25MM RND PH MS ZNP	
	610318P	BOLT M5X25 HEX ST ZN PKT OF 10	
5	427425	LATCH MOTOR MOUNT M6	
6	611105P	NUT M5 HEX PKTS OF 10	
7	427500	CAPACITOR 7UF M8 STUD ICAR (FASCO MOTOR)	
	427502	CAPACITOR 8MF M8 STUD ICAR (EMERSON MTR)	
8	611961P	SCREW SET M6X6 HEX SOCKET W X1	
	611992P	SCREW SET M8X8 HEX SOCKET W X1	
9	405736	PULLEY DRIVE	
	410028	PULLEY DRIVE AD35	
10	613203	PIN ROLL 5/32 X 3/4 ST	
11	427315P	MOTOR SPLIT PHASE REVERS. PKD	
	* 427448	KIT MTR FASCO CONVERSN AD53/55	
	* 427459	KIT MTR FASCO CONVERSN ED53/55	
	* 427462	KIT MTR FASCO CONVERSN ED54/56	
	427517P	MOTOR PSC REVERS. FASCO D5 PKD	
	427518P	MOTOR PSC REVERSING FASCO D3	
12	410046	CLAMP DISC	
	427204	DISC CLAMPING SLOTTED	
13	460872	BOSS FAN	
14	410455	FAN AD3	
	460773	FAN D5	
15	410047	DISC DRIVE	
16	SP0201P	SCREW 8X12 PAN PH NIB PKT10	
17	405086	PIN JOCKEY 6.3 DIA X 43 SQ HD	
18	613702	CLIP PUSH ON SPIRE	
19	460547	PULLEY JOCKEY ASSEMBLY	
20	427442	ARM JOCKEY	
21	410598	SPRING JOCKEY PULLEY -AD3	
22	* 427375	CLIP SPRING MOTOR MOUNTING	

NOTES

CABINET

Technical Bulletins

410380	DR007
427373	DR007
427431P	DR007
427537P	DR012
472969P	WM76

CONTROLS & AIR DUCT

Technical Bulletins

427317P	DR005
427318P	DR005
460555P	DR014

DOOR ASSEMBLY

Technical Bulletins

427078	DR21
427225P	DR29, DR32

DRUM ASSEMBLY & ACCESSORIES

Technical Bulletins

427131	DR013, DR28
--------	-------------

MOTOR & FAN

Technical Bulletins

427375	DR015
427394	DR015
427448	DR011
427459	DR011
427462	DR011
460522	DR015
460833	DR14

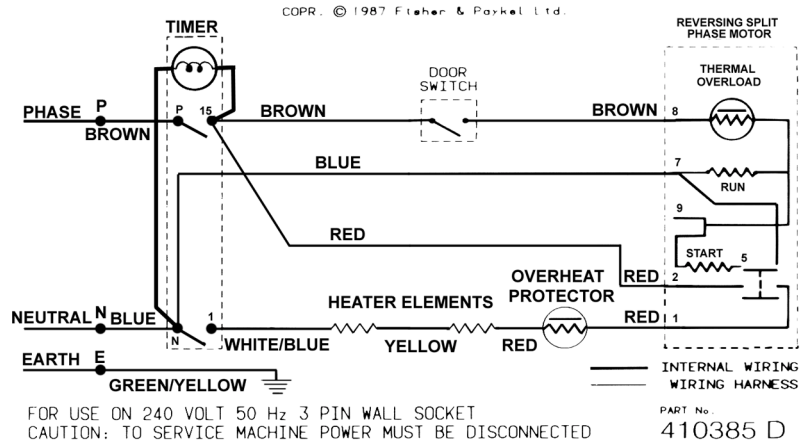
SCHEMATIC DIAGRAM AD39

LISTED BELOW ARE UP TODATE WIRING DIAGRAMS FOR OUR DIFFERENT CHANGES TO DRYER MODEL RANGES

AD39 DRYER

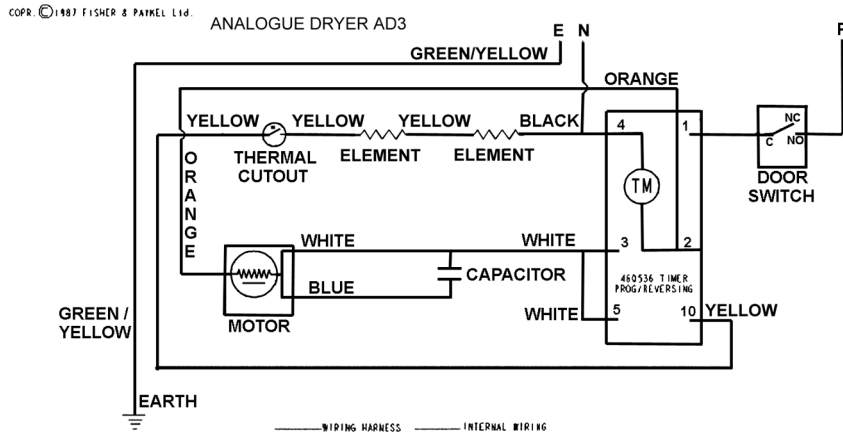
FROM SERIAL NUMBER : RLL178719

TO SERIAL NUMBER : NHL132155



FROM SERIAL NUMBER : NHL132156

TO SERIAL NUMBER : ONWARDS

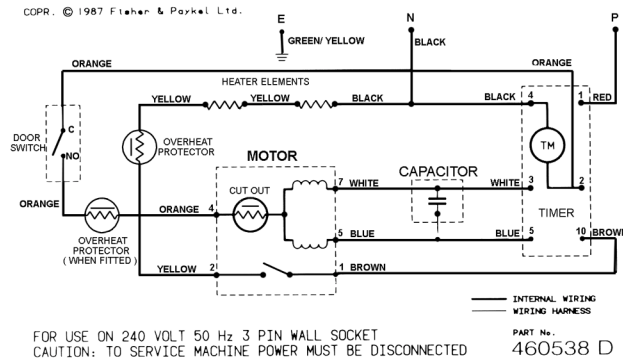


SCHEMATIC DIAGRAM AD55

AD55 DRYER

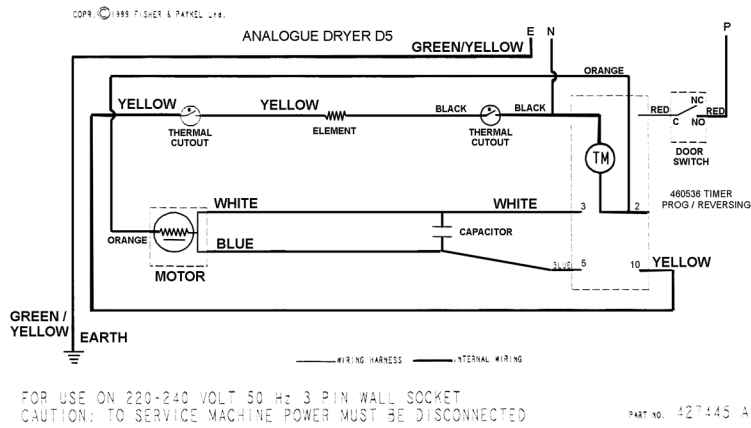
FROM SERIAL NUMBER : RLL 178554

TO SERIAL NUMBER : NAL179880



FROM SERIAL NUMBER : NAL179881

TO SERIAL NUMBER : ONWARDS

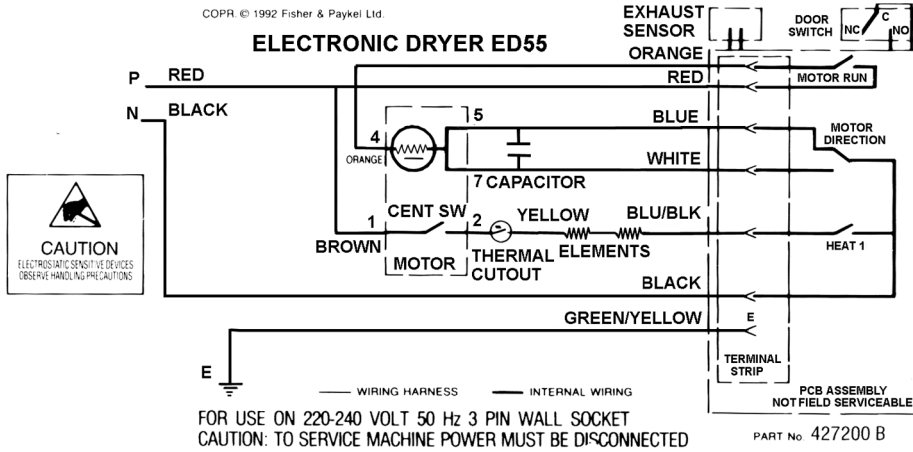


SCHEMATIC DIAGRAM ED55

ED55 DRYER

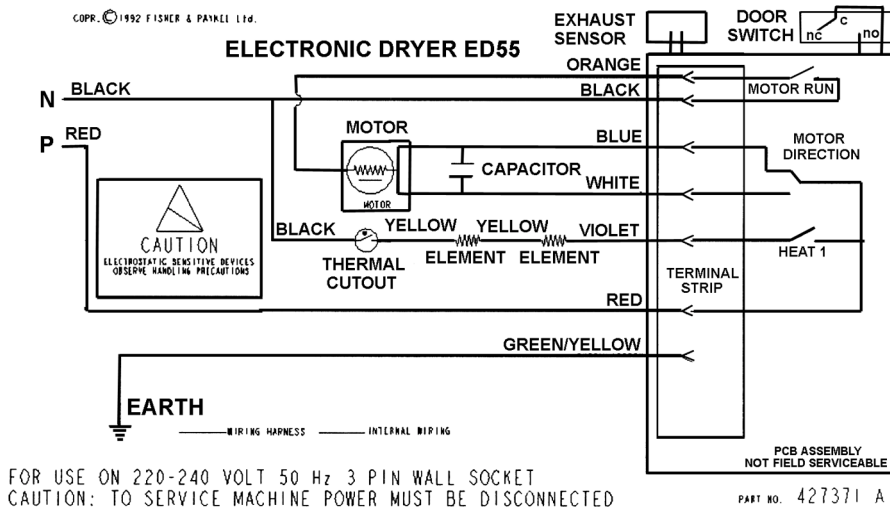
FROM SERIAL NUMBER : RLL 178590

TO SERIAL NUMBER : NIL106948



FROM SERIAL NUMBER : NIL106949

TO SERIAL NUMBER : NRL151550

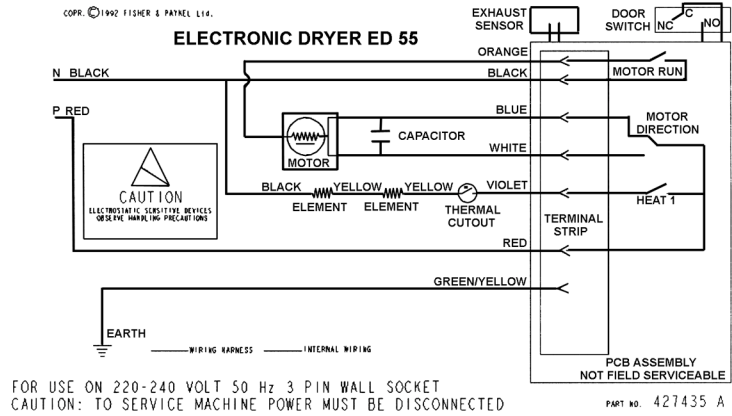


SCHEMATIC DIAGRAM ED55(CONT)

ED55 DRYER CONTINUED

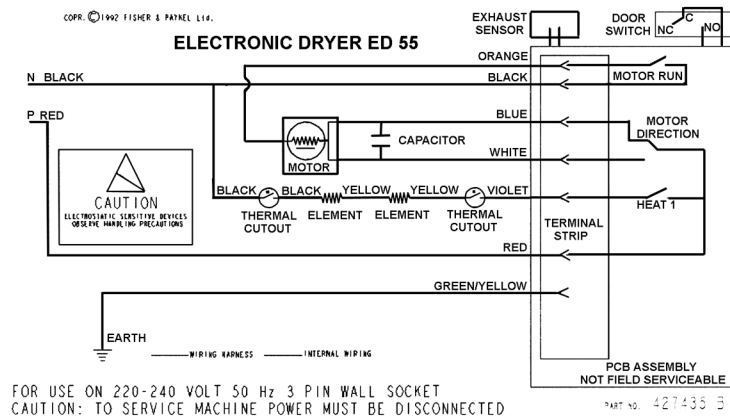
FROM SERIAL NUMBER : NRL 151551

TO SERIAL NUMBER : NPL161962



FROM SERIAL NUMBER : NPL161963

TO SERIAL NUMBER : ONWARDS

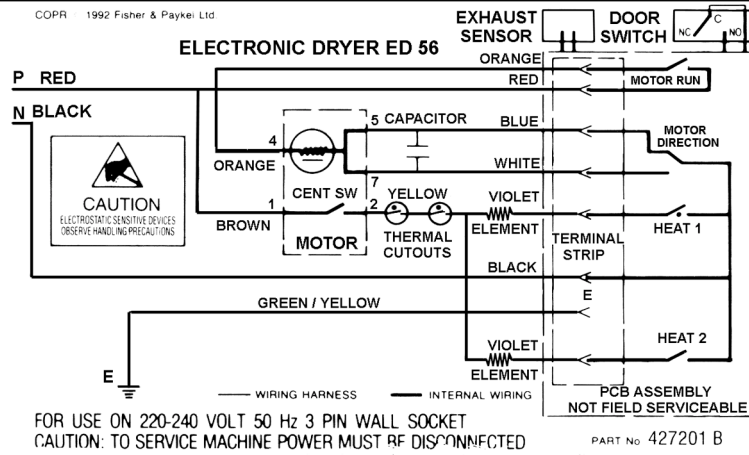


SCHEMATIC DIAGRAM ED56

ED56 DRYER

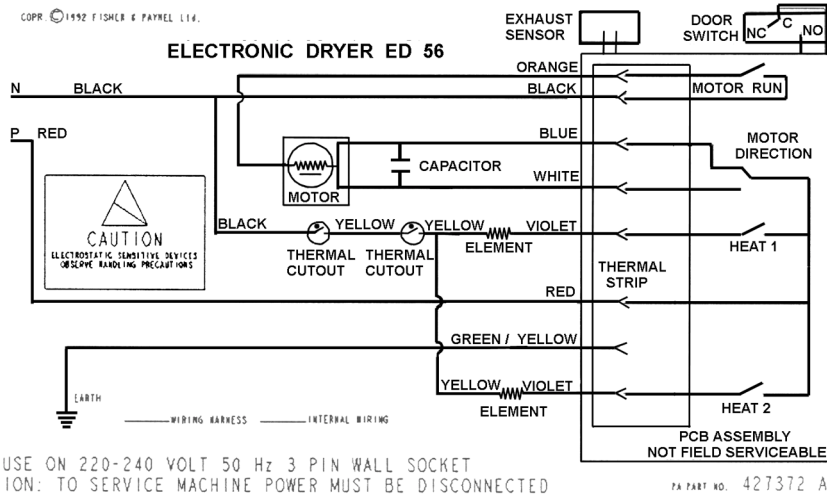
FROM SERIAL NUMBER : RLL178590

TO SERIAL NUMBER : NHL128300



FROM SERIAL NUMBER : NHL128301

TO SERIAL NUMBER : NRL152139



SCHEMATIC DIAGRAM ED56(CONT)

ED56 DRYER CONTINUED

FROM SERIAL NUMBER : NRL152140

TO SERIAL NUMBER : ONWARDS

